

Italian Designed. Australian at heart

DAN14TDW

60cm Stainless Steel Drawer

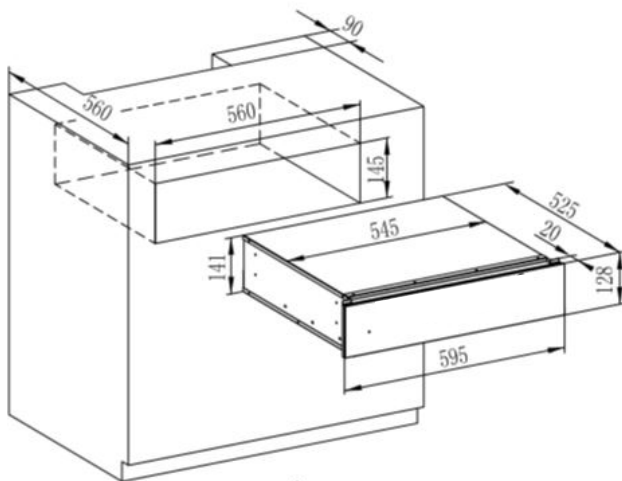


Features

- Stainless Steel finish
- Open with push/pull system
- Non-slip internal shelf surface
- Telescopic guides for sliding opening
- Keeping food warm
- Suitable to install oven/steam oven on top
- Easy to clean

Product Dimensions

Overall size: 595mmW x 525mmL x 128mmH



Installation Information

The manufacturer shall not be held liable for damage to persons or property due to incorrect installation, or improper, wrong or ludicrous uses of the appliance. Be sure to check the appliance once it has been unpacked. If it has been damaged, do not use it.

IN HOUSE **2** YEARS WARRANTY

Please note:

Dimensions and specifications are a guide only refer to the instruction manual for full instructions. Every effort has been made to ensure this information is correct. However, due to product improvement Daniela Appliances reserves the right to make changes to products without prior notice.